

D⁴ high pressure compact desiccant air dryers

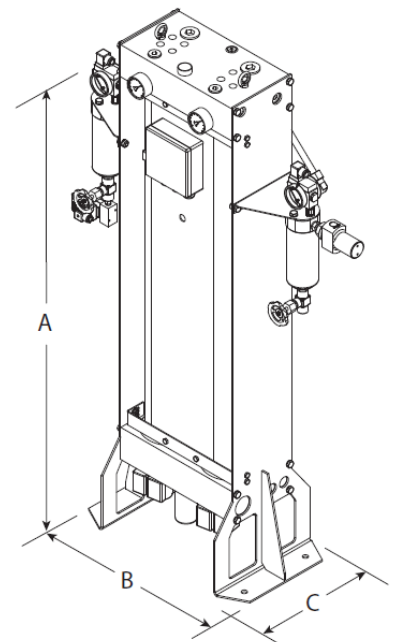


nano D⁴ high pressure compact desiccant air dryers are specifically designed for high pressure applications from 1450 to 5075 psig where floor space is limited. These compact and lightweight dryers provide continuous uninterrupted clean dry air in a simple cost effective and reliable package.

dryer model	dryer & filters	inlet & outlet	rated flow ⁽¹⁾		dimensions (inches)			approx. weight
	\$USD	NPT	scfm	Nm ³ /h	A	B	C	lbs
DHC / 100 (1450 psig)								
DHC8/100	CF	½"	77	130	42.3	31.0	13.4	384
DHC13/100	CF	½"	115	195	48.2	31.0	13.4	414
DHC18/100	CF	½"	159	270	54.1	31.0	13.4	441
DHC26/100	CF	½"	203	345	60.0	31.0	13.4	472
DHC31/100	CF	½"	250	425	69.9	31.0	13.4	520
DHC41/100	CF	¾"	333	565	67.9	32.5	13.4	666
DHC52/100	CF	¾"	394	670	75.8	32.5	13.4	717
DHC59/100	CF	¾"	447	760	83.7	32.5	13.4	776
DHC66/100	CF	¾"	486	825	93.5	32.5	13.4	631
DHC / 350 (5075 psig)								
DHC8/350	CF	½"	132	225	42.3	31.0	13.4	485
DHC13/350	CF	½"	206	350	48.2	31.0	13.4	545
DHC18/350	CF	½"	283	480	54.1	31.0	13.4	604
DHC26/50	CF	½"	365	620	60.0	31.0	13.4	661
DHC31/350	CF	½"	441	750	69.9	31.0	13.4	758
DHC41/50	CF	¾"	647	1100	67.9	32.5	13.4	908
DHC52/350	CF	¾"	765	1300	75.8	32.5	13.4	1005
DHC59/350	CF	¾"	868	1475	83.7	32.5	13.4	1100
DHC66/350	CF	¾"	942	1600	93.5	32.5	13.4	1228

specifications	DHC / 100	DHC / 350
minimum operating pressure	435 psig	435 psig
maximum operating pressure	1450 psig	5075 psig
maximum particle size (ISO class) ⁽²⁾	class 2 (1 micron)	
maximum water content (ISO class) ⁽²⁾	class 2 (-40°F pdp) ⁽³⁾	
maximum oil content (ISO class) ⁽²⁾	class 1 (0.01 mg/m ³)	
recommended operating temp range	50 to 100°F	
design operating temperature range	35 to 140°F	
power supply requirements	120 & 240 VAC, 50/60 Hz ⁽⁴⁾	
power consumption	< 50 W	
control panel protection	IP 65 (NEMA 4X)	
valve switching power (per valve)	80 VA	

materials of construction	
vessels	304 stainless steel
frame & supports	carbon steel
valve block housing	anodized aluminum
valve seats	stainless steel & brass
pipng & fittings	316 stainless steel
media	100% 4A molecular sieve



(1) at an inlet temperature of 95°F, an inlet pressure of 1450 or 5075 psig (as applicable), and a -40°F outlet dew point. For all other operating conditions contact support@n-psi.com for sizing assistance

(2) per ISO 8573.1:2010

(3) ISO class 2 (-40°F outlet pressure dew point) is provided as standard. -13°F or -67°F outlet pressure dew points are available as an option

(4) 24VDC available as an option