

mid pressure aluminum filters



a unique range of up to 725 psig die cast aluminum filters providing exceptional value & performance

The nano F³ range of mid pressure filters consists of nine models in three different housing designs.

Manufactured from machined and die cast aluminum and polyester powder coated for optimum corrosion protection, the nano F³ are designed for the unique demands of high pressure applications.

These filters incorporate an innovative push-fit element design with dual o-ring seals to ensure optimum sealing and mechanical strength.

models up to 1600 scfm

Choose from five different elements including 25, 5, 1 and 0.01 micron coalescing and/or dust filtration and activated carbon oil vapor removal. The custom engineered filter media is designed to provide low air velocity preventing oil carry over for high efficiency filtration with minimal pressure drop.

Manufactured in an ISO 9001 approved facility and tested in accordance with ISO 8573-1:2010.



applications include:

chemical

food & beverage

manufacturing

military

oil & gas

PET

nano-purification solutions llc
charlotte, north carolina
united states

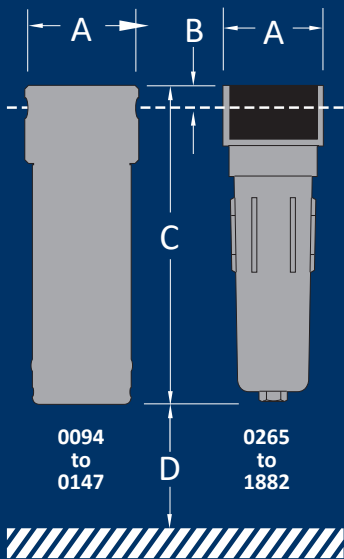
nano-purification solutions
st. catharines, ontario
canada

nano-purification solutions ltd
gateshead, tyne and wear
united kingdom

tel: 704.897.2182
fax: 704.897.2183
email: support@n-psi.com
web: www.n-psi.com

technical specification

filter model	inlet & outlet		rated flow ⁽¹⁾		dimensions (inches)				approx. weight	replacement element
	NPT		scfm	Nm ³ /h	A	B	C	D	lbs	part no.
N50A 0094 (grade)	¼"		94	160	2.5	0.6	5.9	2.0	1.3	E50HP 0094 (grade)
N50A 0147 (grade)	⅜"		147	250	2.5	0.6	7.5	2.0	1.4	E50HP 0147 (grade)
N50A 0265 (grade)	½"		225	382	4.5	1.5	12.0	5.9	6.2	E50HP 0265 (grade)
N50A 0324 (grade)	¾"		275	467	4.5	1.5	12.0	5.9	6.1	E50HP 0324 (grade)
N50A 0492 (grade)	1"		418	709	4.5	1.5	15.6	5.9	7.4	E50HP 0492 (grade)
N50A 0736 (grade)	1½"		625	1062	5.8	2.0	17.1	6.7	16.3	E50HP 0736 (grade)
N50A 1015 (grade)	1½"		862	1466	5.8	2.0	17.1	6.7	16.3	E50HP 1132 (grade)
N50A 1132 (grade)	2"		962	1636	5.8	2.0	17.1	6.7	15.8	E50HP 1132 (grade)
N50A 1882 (grade)	2"		1600	2720	5.8	2.0	25.0	6.7	21.9	E50HP 1882 (grade)



specifications

design operating pressure range ⁽¹⁾	0 to 725 psig
condensate drain (included)	manual ball valve
filter housing material	machined & die cast aluminum

element performance

	M25	M5	M1	M01	AC
particle removal (microns)	25	5	1	0.01	-
max oil carry over at 68°F (ppm or mg/m ³)	10	5	0.1	0.01	0.003
recommended operating temp range (°F)	35 - 212	35 - 212	35 - 212	35 - 212	35 - 77
design operating temperature range (°F)	35 - 248	35 - 248	35 - 248	35 - 248	35 - 122

pressure correction factors

operating pressure (psig)	60	90	120	150	220	290	435	580	725
correction factor for models N50A 0094 to 0147	0.14	0.22	0.28	0.34	0.47	0.56	0.70	0.85	1.00
correction factor for models N50A 0265 to 1882	0.16	0.26	0.33	0.40	0.55	0.66	0.82	1.00	

(1) ¼" and ⅜" NPT maximum design operating pressure at 725 psig at 248°F with full CRN certification. Other connections 580 psig at 248°F with full CRN certification, 640 psig at 248°F with no CRN certification. For all other pressures, refer to the pressure correction factor table above

- differential pressure indicator not included
- install with air flow from inside to outside for coalescing and from outside to inside for dry dust filtration