

high temperature dust filters



high quality die cast aluminum filters rated to 450°F for high temperature particulate removal

The nano F³ range of high temperature dust filters consists of eleven models with flow rates up to 1600 scfm.

Manufactured from machined and die cast aluminum and polyester powder coated for optimum corrosion protection, the nano F³ are designed for the unique demands of high temperature applications.

These filters incorporate an innovative push-fit element design with dual o-ring seals to ensure optimum sealing and mechanical strength.

optimum filtration for heat reactivated dryers

Provided with a 1 micron dry particulate element these filters are ideal for high temperature applications including downstream of a heat reactivated desiccant air dryer. The custom engineered filter media is designed to handle the heat while providing high efficiency filtration with minimal pressure drop.

Manufactured in an ISO 9001 approved facility and tested in accordance with ISO 12500.



applications include:

chemical

food & beverage

manufacturing

military

oil & gas

nano-purification solutions llc
charlotte, north carolina
united states

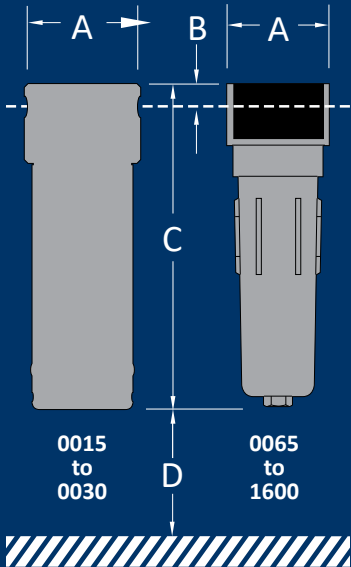
nano-purification solutions
st. catharines, ontario
canada

nano-purification solutions ltd
gateshead, tyne and wear
united kingdom

tel: 704.897.2182
fax: 704.897.2183
email: support@n-psi.com
web: www.n-psi.com

technical specification

		rated flow ⁽¹⁾		dimensions (inches)				approx. weight	replacement element
		scfm	Nm ³ /h	A	B	C	D	lbs	part no.
NHT 0015 M1	¼"	15	26	2.5	0.5	6.0	2.0	0.5	EHT 0015 M1
NHT 0030 M1	⅜"	30	51	2.5	0.5	7.5	2.0	0.6	EHT 0030 M1
NHT 0065 M1	½"	65	111	4.5	1.5	12.0	6.0	5.7	EHT 0065 M1
NHT 0075 M1	¾"	75	128	4.5	1.5	12.0	6.0	5.7	EHT 0075 M1
NHT 0150 M1	1"	150	255	4.5	1.5	15.5	6.0	7.3	EHT 0150 M1
NHT 0300 M1	1½"	300	510	5.75	2.0	21.0	7.0	16.5	EHT 0300 M1
NHT 0450 M1	2"	450	765	5.75	2.0	21.0	7.0	16.5	EHT 0450 M1
NHT 0650 M1	2"	650	1105	5.75	2.0	25.0	7.0	22.0	EHT 0650 M1
NHT 1000 M1	3"	1000	1700	9.0	2.5	27.0	7.0	32.0	EHT 1000 M1
NHT 1250 M1	3"	1250	2125	9.0	2.5	32.0	7.0	33.5	EHT 1250 M1
NHT 1600 M1	3"	1600	2720	9.0	2.5	38.0	7.0	33.5	EHT 1600 M1



specifications

design operating pressure range	0 to 150 psig
drain (included)	manual ball valve
filter housing material	machined & die cast aluminum

element performance

	M1
particle removal	1 micron
design operating temperature range	35 to 450°F
pressure drop - clean	1.1 psid
pressure drop - recommended replacement ⁽²⁾	5.0 psid
flow direction through element	outside to inside
maximum element life	12 months or 8000 hours
end cap material	aluminum

pressure correction factors

operating pressure (psig)	60	70	85	100	115	145
correction factor	0.76	0.84	0.92	1.00	1.07	1.19

(1) at 100 psig. For all other pressures, refer to the pressure correction factor table above

(2) differential pressure indicator not included

- filters are intended for dry particulate filtration only